

Heating Air Blower

MANUAL INSTRUCTION

Products Performance:

- Large wind, low noise and without obvious noise from high frequency
- Heater quick-dry function
- Thermal protector of TP16050(Dezhou Equipment)
- There is fuse inside the motor
- Insulation class F
- Recognize certified: CE
- Noise: noise of air blower pump with a nozzle(as follow)

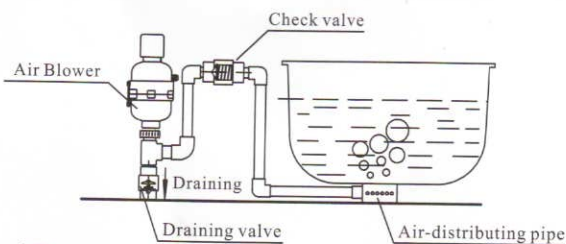
Model	APW400		APW700		APW900	
	single stage	double-stage	single stage	double-stage	single stage	double-stage
Average noise dB(A)	75	73	78	75	80	78

Parts And Materials:

- Pump casing: high temperature resistant Reinforce plastic
- Air switch:15A,250V(Optional)
- Carbon brush: using import materials from Japan life $\geq 1000h$

Using and Installing:

- The number of nozzle installed should be more than. the number of regulation minimum.
- The installation of distributor must be higher than the using water-level in case water come into air blower pump.(Fig.1)
- The connect pipe of air blower pump must use resist heat pipe (>100°C won't transform).
- Air blower pump must be installed fixed, and the connect pipe must be fastened.



(Fig.1)

Configurations table

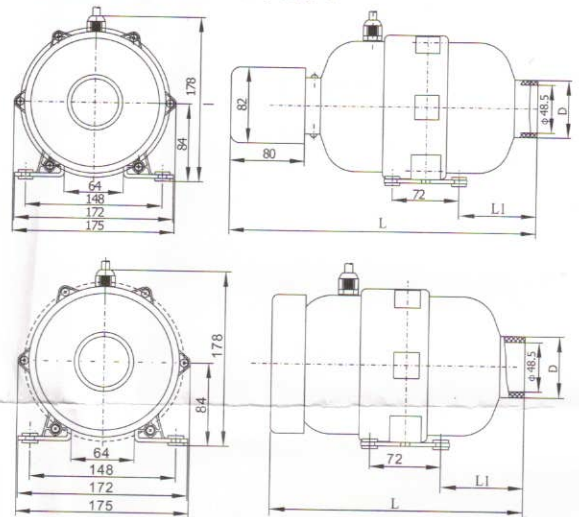
With plug	No plug
(180W)/With heat element(180W)	No heat element
With air switch	No air switch



Products model and the main technology parameter

Model	Power(W)	Number of Nozzle
APW400	360~400	12-24
APW700	630~700	16-32
APW900	820~900	20-40

Installation Structure



Model	motor	Size(mm)			
		L	L1	D	
APW400/700/900	Single stage	332	84	φ 62	1/4" FBT
APW400/700/900	Double-stage	352	104		
APW400/700/900	G model single stage	254	84	φ 62	1/4" FBT
APW400/700/900	G model double-stage	274	104		

D in fig.is thread connection that union of φ 32、 φ 33.5、 φ 48.5 and φ 50 is available.

D in fig.is direct connection that only φ 48.5 available.

CAUTION

- Air blower pump must be grounded in order to prevent electrical shock or injury.
- The air distributor must be installed higher the water level of tub, in order to prevent water flow into air blower.
- Outlet of air blower pump can not be stuffed up when it is operating.
- When the outlet air flow is too small, the air temperature will increase, pay attention to prevent scald.



Do not dispose this product as unsorted municipal waste. Collection of such waste separately for special treatment is necessary.